



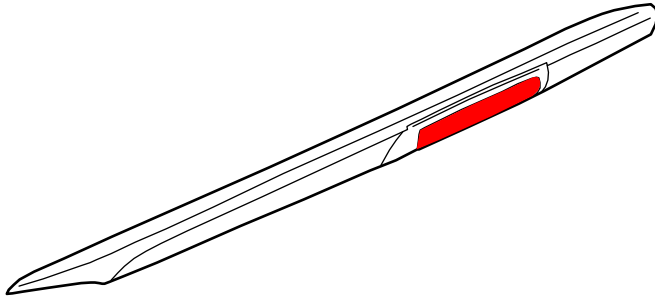
PART NUMBER : E721SAJ000

INSTALLATION INSTRUCTIONS

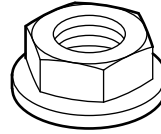
DESCRIPTION : LEGACY

REAR SPOILER ASSY

A KIT CONTENTS

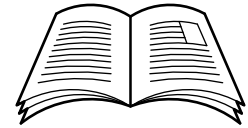


B



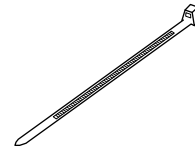
4X

C



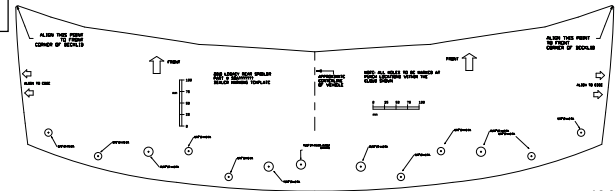
1X

D



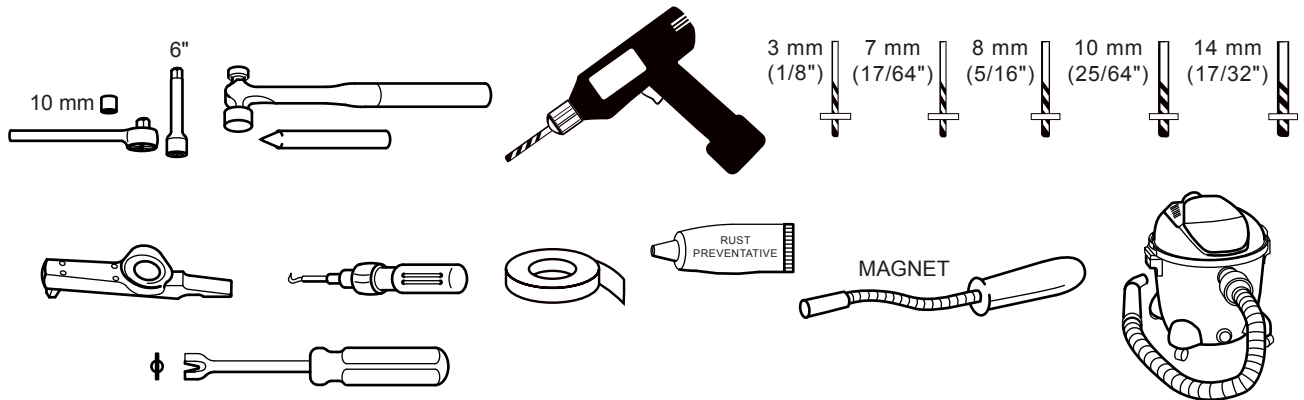
1X Wire Tie

E



1X

TOOLS REQUIRED:



Meaning of Characters:



: Install



: Connect



: Remove



: Location of clip or screw



: Do Not Discard

T

: Tightening Torque



: Re use

PART NUMBER
E721SAJ000

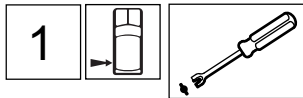
ISSUE
02

DATE
09/23/2009

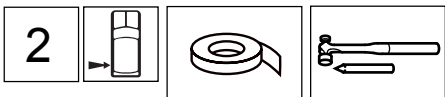
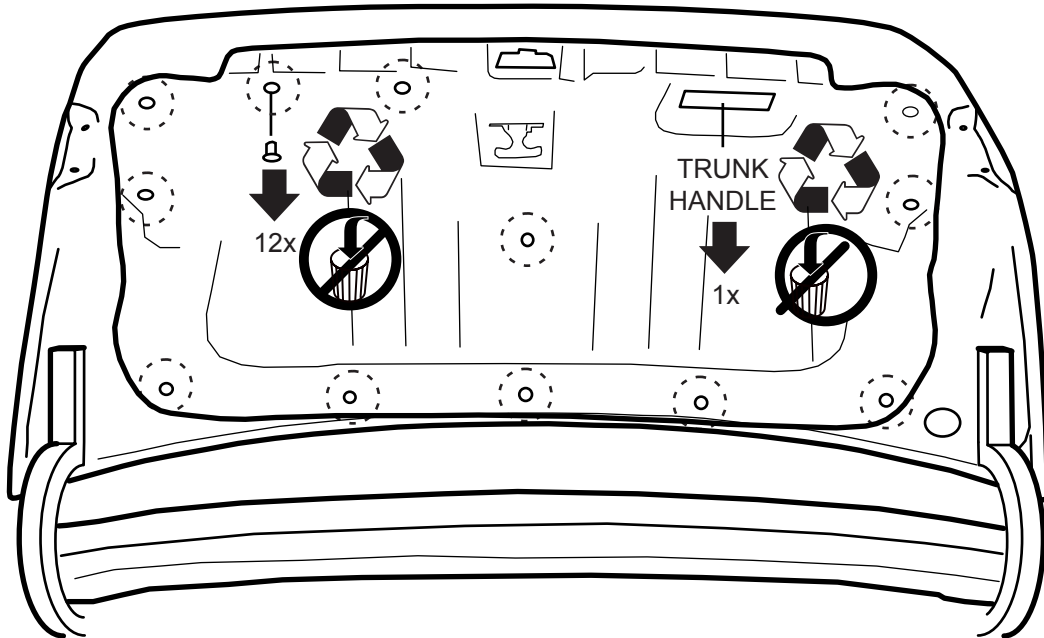
SUBARU OF AMERICA

PAGE
1/5

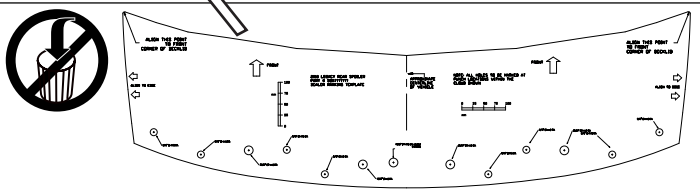
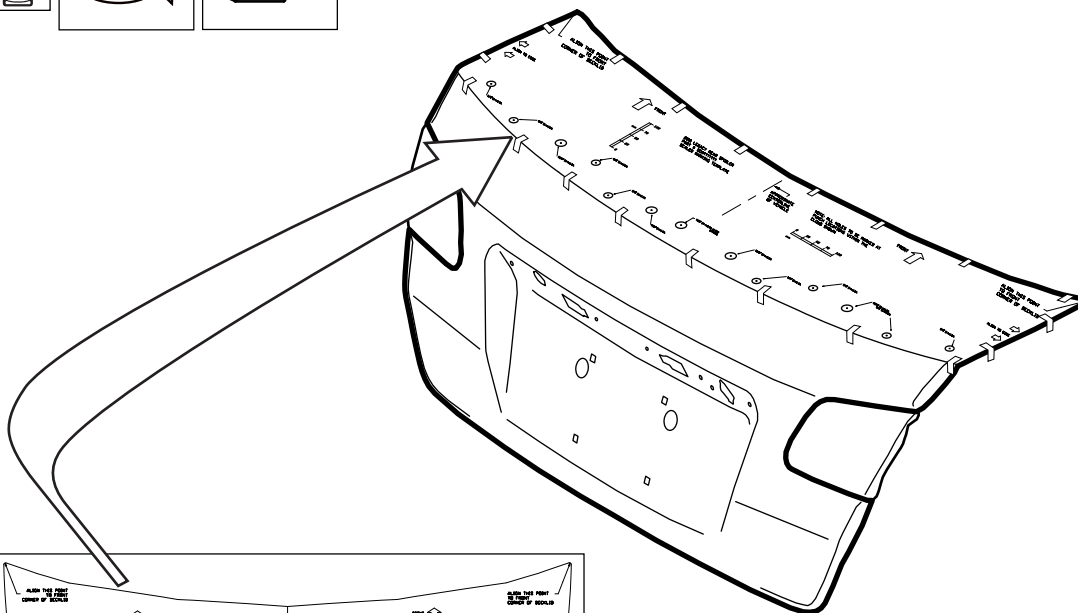
REAR SPOILER ASSEMBLY



- 1) Remove trunk handle.
- 2) Remove deck lid carpet panel by removing 12 push pins.



- 1) Secure mylar template with masking tape.
- 2) Mark drill hole locations with center punch.



PART NUMBER
E721SAJ000

ISSUE
02

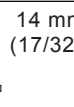
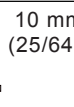
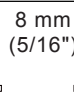
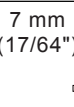
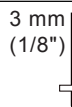
DATE
09/23/2009

SUBARU OF AMERICA

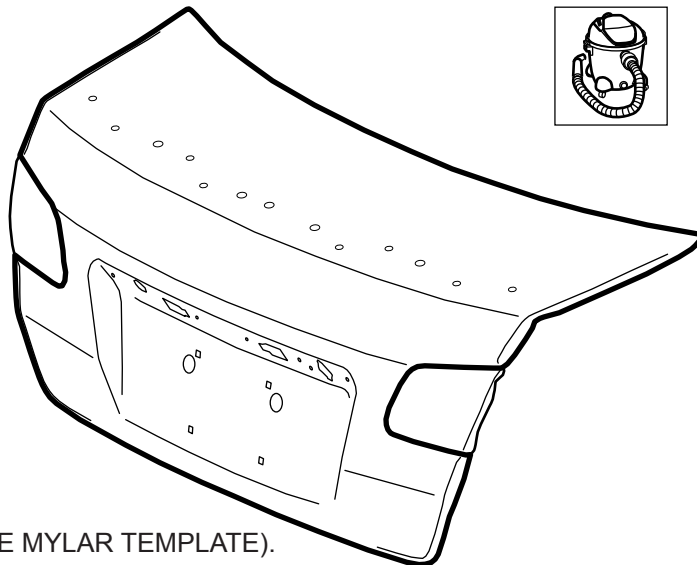
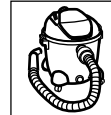
PAGE
2/5

REAR SPOILER ASSEMBLY

3



MAGNET



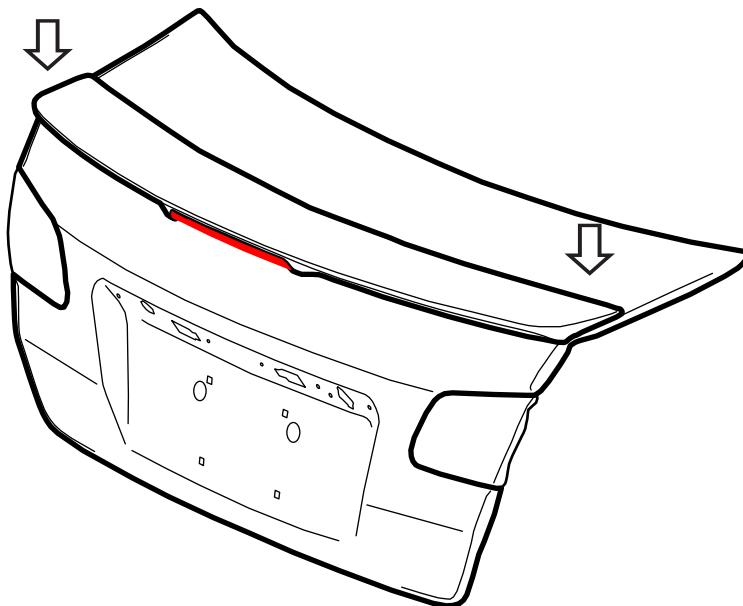
PROCEDURES:

- 1) Set all drill stops to 1/4" or 6mm depth.
- 2) Drill all 13 locations with 3mm pilot drill first.
- 3) Open all holes to final dimension (REFERENCE MYLAR TEMPLATE).
- 4) Remove all metal chips with vacuum and magnet.
(USE CAUTION NOT TO SCRATCH THE VEHICLE PAINT SURFACE).
- 5) Remove all burrs from holes and apply rust preventative.

4



- 1) Check alignment of plastic holding clips.
- 2) Be sure to pull CHMSL harness completely through deck lid prior to snapping spoiler into place. Seat the rubber grommet into the sheet metal hole in the deck lid.
- 3) Apply firm downward force at eight clip locations.
- 4) Audible "click" should be heard at each clip location to indicate engagement.



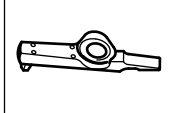
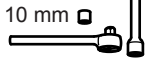
REAR SPOILER ASSEMBLY

5

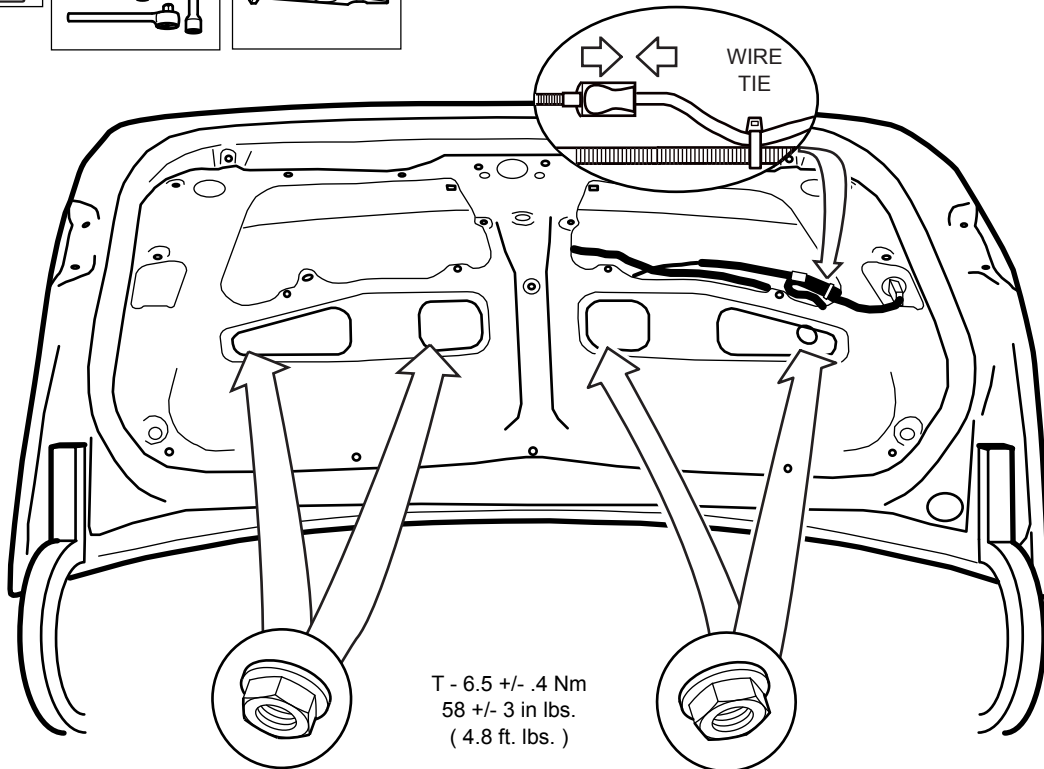


10 mm

6"



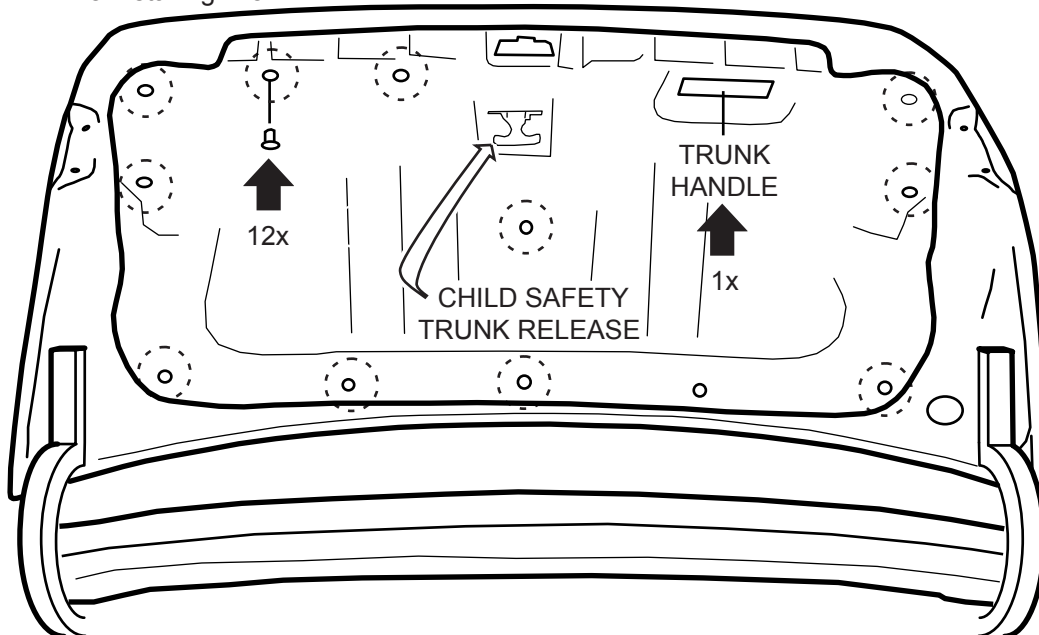
SPOILER HIGH MOUNT STOP LAMP
CHMSL HARNESS CONNECTION POINT



6



- 1) Re-install deck lid carpet panel with the 12 recycled push pins.
- 2) Re-install and correctly seat trunk handle and child safety trunk release when re-installing liner.



PART NUMBER
E721SAJ000

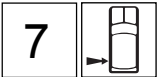
ISSUE
02

DATE
09/23/2009

SUBARU OF AMERICA

PAGE
4/5

REAR SPOILER ASSEMBLY



CHECK THAT SPOILER HIGH MOUNT STOP LAMP PROPERLY ILLUMINATES WHEN BRAKE PEDAL IS DEPRESSED.

