



SUBARU

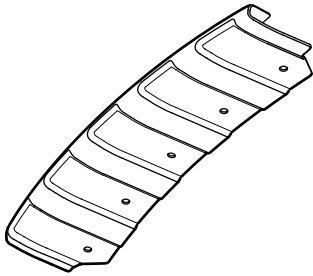
PART NUMBER : E551SXA000

INSTALLATION INSTRUCTIONS

DESCRIPTION : TRIBECA FRONT BUMPER UNDER GUARD

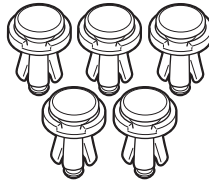
KIT CONTENTS

A



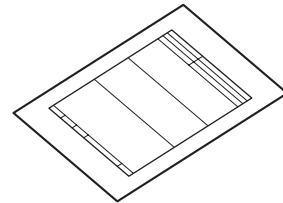
Bumper Under Guard - 1x

B



Clip - 5x

C

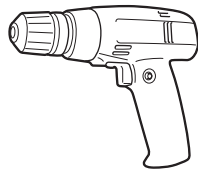


Installation Instructions - 1x

TOOLS REQUIRED



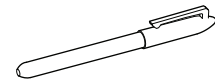
Clean Cloth



Drill



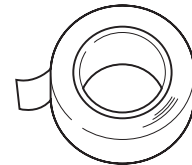
3mm (1/8") Drill Bit



Marker



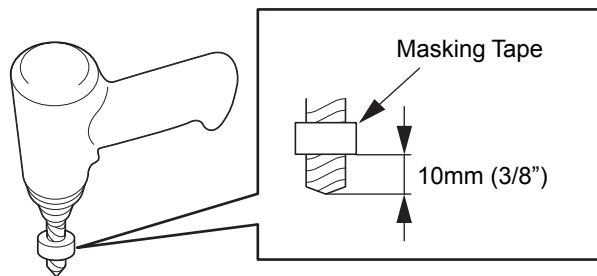
10mm (3/8") Drill Bit



Masking Tape

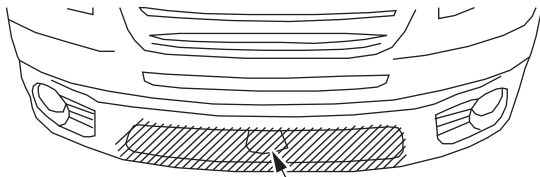
NOTE:

To prevent the drill bits from reaching the back of the front bumper when drilling, wind masking tape around each drill bit to the length shown in the figure below.



FRONT BUMPER UNDER GUARD INSTALLATION

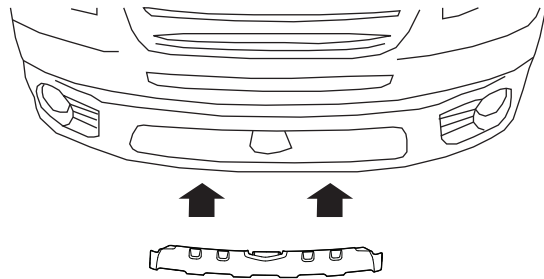
1



Cleaning Area

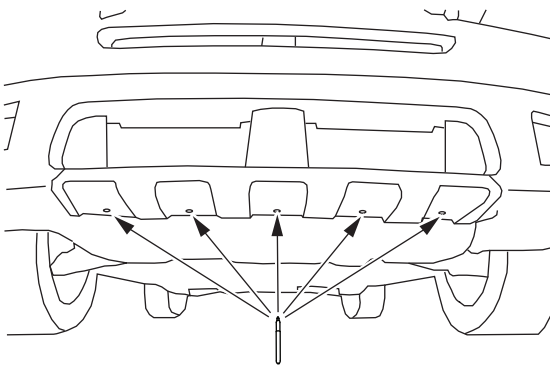
Clean any dirt from the attachment area of bumper with a clean cloth.

2



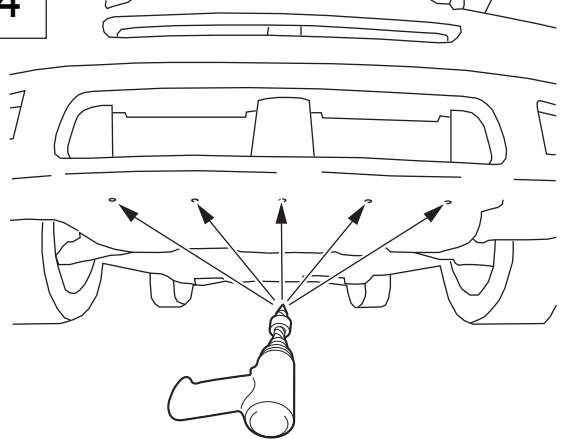
Place the bumper guard firmly onto the bumper, but do not fully seat the top six clips.

3



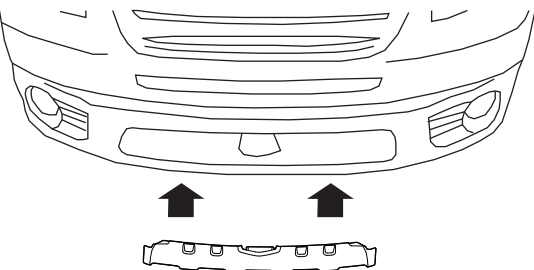
While pressing the under guard firmly to the bumper, mark the 5 drilling locations and remove the front bumper under guard from the vehicle.

4



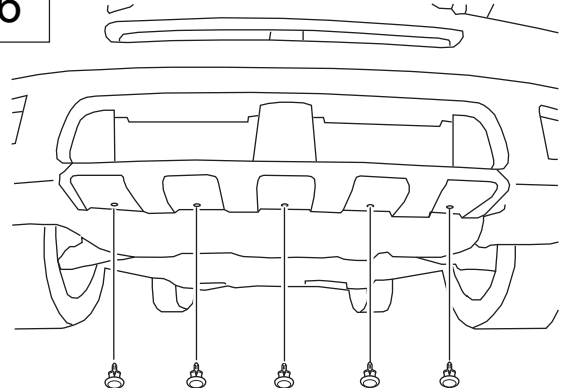
Drill the 5 attachment holes first with a 3 (1/8") mm bit, then with the 10 (3/8") mm bit.

5



Place the bumper guard firmly onto the bumper, and fully seat the top six clips.

6



Attach 5 clips to the under side of the bumper guard.

PART NUMBER
E551SXA000

ISSUE
01

DATE
03/09/2007

SUBARU OF AMERICA

PAGE
2/2